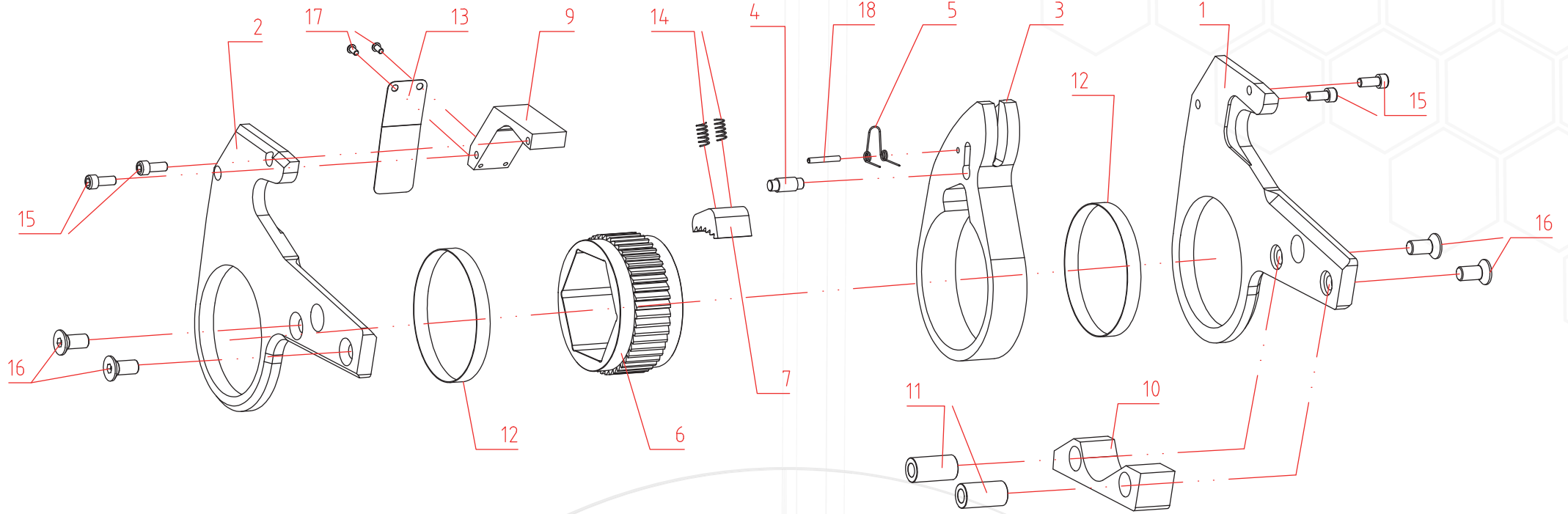


#	Part No	Description	Qty
1	SPH430P-01	BODY ASSEMBLY	1
2	SPH430P-02	PISTON	1
3	SPH210P-03	PISTON CAP	1
4	SPH430P-04	SLIDER	2
5	SPH430P-05	SLIDER PIN	1
6	SPH430P-06	COPPER SLEEVE	1
7	SPH430P-07	* U-RING	1
8	SPH430P-08	* O-RING	2
9	SPH430P-09	* BACKUP RING	2
12	SPH430P-12	END CAP	1

#	Part No	Description	Qty
24	SPH430P-24	¼" NIPPEL OUTER THREAD	2
25	SPH430P-25	¼" MALE COUPLER OUTER THREAD	1
25B	SPH430P-25B	¼" FEMALE COUPLER OUTER THREAD	1
26	SPH430P-26	SCREW	2
27	SPH430P-27	SCREW WITH SPRING	1
28	SPH430P-28	LINK PIN	1
29	SPH430P-29	SWIVEL ASSEMBLY COMPLETE 360°	1
29.1	SPH430P-29.1	* O-RING	2
29.2	SPH430P-29.2	SWIVEL BAR	1
29.3	SPH430P-29.3	SCREW	4

#	Part No	Description	Qty
29.4	SPH430P-29.4	SWIVEL	1
29.5	SPH430P-29.5	* O-RING	3
29.6	SPH430P-29.6	CAP	1
29.7	SPH430P-29.7	SCREW	2
29.8	SPH430P-29.8	BALL	1
29.9	SPH430P-29.9	SPRING RING	1
29.10	SPH430P-29.10	SPRING	1
29.11	SPH430P-29.11	SCREW	1
30	SPH430P-00	SEAL KIT	1

*7,8,9, 29.1, 29.5 NUMBERED PARTS INCLUDED IN SEAL KIT.



#	Part No	Description	Qty
1	SPH430C-01	RIGHT SIDE PLATE	1
2	SPH430C-02	LEFT SIDE PLATE	1
3	SPH430C-03	DRIVE PLATE	1
4	SPH430C-04	DRIVE PIN	1
5	SPH430C-05	SPRING	1
6	SPH430C-06	HEX RATCHET	1

#	Part No	Description	Qty
7	SPH430C-07	DRIVE SEGMENT	1
9	SPH430C-09	UPPER SPACER	1
10	SPH430C-10	LOWER SPACER	1
11	SPH430C-11	FIX ROTOR	2
12	SPH430C-12	COPPER SLEEVE	1
13	SPH430C-13	SHROUD	1

#	Part No	Description	Qty
14	SPH430C-14	SPRING	2
15	SPH430C-15	SIDE PLATE SCREW	4
16	SPH430C-16	SIDE PLATE SCREW	4
17	SPH430C-17	SCREW FOR SHROUD	2
18	SPH430C-18	PIN	1