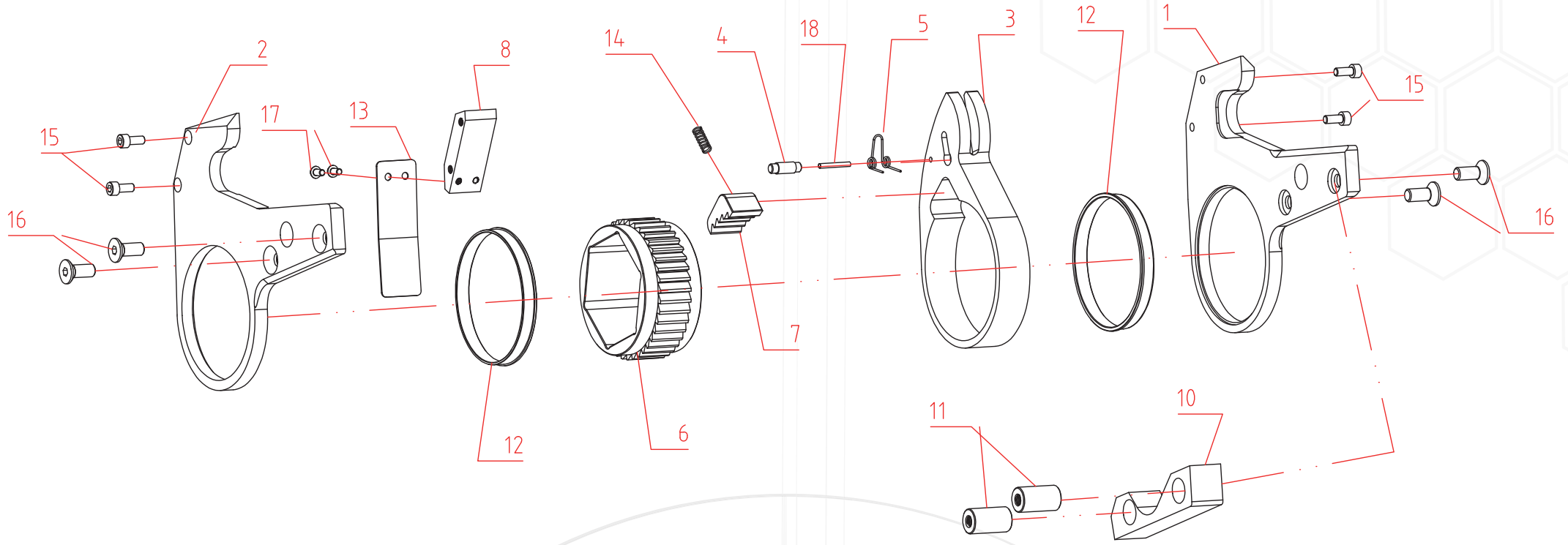


\*7,8,9,10,11,17 NUMBERED PARTS INCLUDED IN SEAL KIT.

#	Part No	Description	Qty
1	SPH27P-01	BODY ASSEMBLY	1
2	SPH27P-02	PISTON	1
4	SPH27P-04	SLIDER	2
5	SPH27P-05	SLIDER PIN	1
7	SPH27P-07	* BACKUP RING	2
8	SPH27P-08	* O-RING	2
9	SPH27P-09	* U-RING	1
10	SPH27P-10	* O-RING	2
11	SPH27P-11	* O-RING	2

#	Part No	Description	Qty
12	SPH27P-12	END CAP	1
13	SPH27P-13	FIXUP SCREW	8
15	SPH27P-15	TIGHTENING SCREW	8
16	SPH27P-16	SWIVEL (BACK)	2
17	SPH27P-17	* O-RING	6
18	SPH27P-18	CIRCLE CLIP	2
19	SPH27P-19	SWIVEL (TOP) ASSY	1
20	SPH27P-20	BALL	1
21	SPH27P-21	BALL SEAT	1

#	Part No	Description	Qty
22	SPH27P-22	SPRING	1
23	SPH27P-23	SCREW	1
24	SPH27P-24	¼" NIPPEL OUTER THREAD	2
25	SPH27P-25	¼" MALE COUPLER OUTER THREAD	1
25B	SPH27P-25B	¼" FEMALE COUPLER OUTER THREAD	1
27	SPH27P-27	SCREW WITH SPRING	1
28	SPH27P-28	LINK PIN	1
30	SPH27P-00	SEAL KIT	1



#	Part No	Description	Qty
1	<b>SPH27C-01</b>	RIGHT SIDE PLATE	1
2	<b>SPH27C-02</b>	LEFT SIDE PLATE	1
3	<b>SPH27C-03</b>	DRIVE PLATE	1
4	<b>SPH27C-04</b>	DRIVE PIN	1
5	<b>SPH27C-05</b>	SPRING	1
6	<b>SPH27C-06</b>	HEX RATCHET	1

#	Part No	Description	Qty
7	<b>SPH27C-07</b>	DRIVE SEGMENT	1
8	<b>SPH27C-08</b>	UPPER SPACER	1
10	<b>SPH27C-10</b>	LOWER SPACER	1
11	<b>SPH27C-11</b>	FIX ROTOR	2
12	<b>SPH27C-12</b>	COPPER SLEEVE	1
13	<b>SPH27C-13</b>	SHROUD	1

#	Part No	Description	Qty
14	<b>SPH27C-14</b>	SPRING	1
15	<b>SPH27C-15</b>	SIDE PLATE SCREW	4
16	<b>SPH27C-16</b>	SIDE PLATE SCREW	4
17	<b>SPH27C-17</b>	SCREW FOR SHROUD	2
18	<b>SPH27C-18</b>	PIN	1